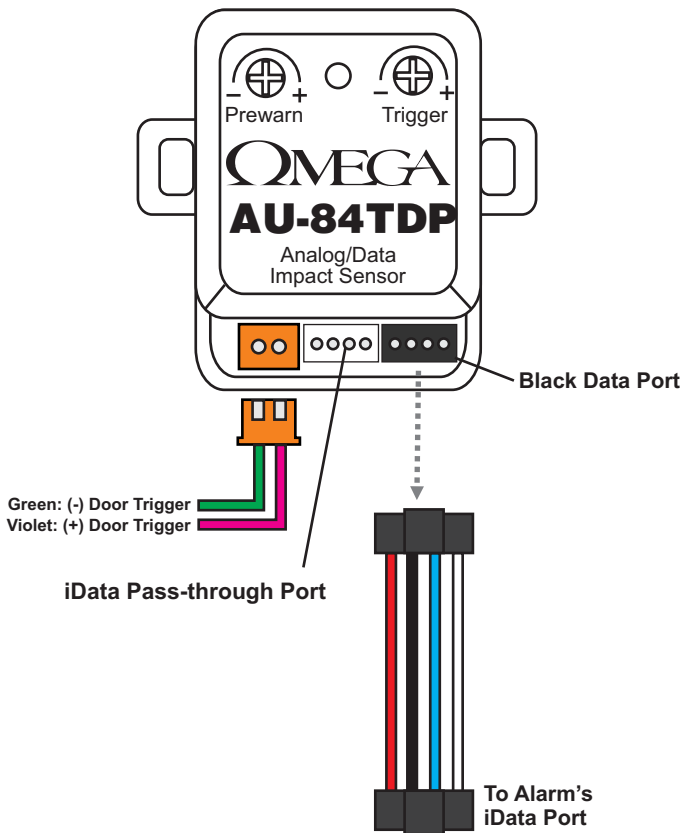


AU-84TDP-B INSTALLATION GUIDE



AU-84TDP-B INSTALLATION GUIDE

Mounting

The AU-84TDP must be mounted securely to the chassis or steering column of the vehicle. Mounting the sensor to areas that are not a solid part of the vehicle can result in poor performance.

Connections

4-PIN DATA HARNESS (System must be "Alarm Equipped")

Connect one end of the data harness to the Black connector on the sensor. Connect the other end of the harness to the Black data port on the alarm. If an OmegaLink module is used, connect the Black data harness of the module to the White connector of the sensor.

Note: The system data port and any other attached devices must be programmed for iDataLink protocol.

DOOR TRIGGER INPUTS (Orange 2-Pin Connector)

GREEN - Connect to (-) door trigger circuit in the vehicle.

VIOLET - Connect to (+) door trigger circuit in the vehicle.

Impact Sensitivity Adjustment

TURN CLOCKWISE - Increases sensitivity

TURN COUNTER-CLOCKWISE - Decreases sensitivity

Status Indicator

GREEN - Indicates PREWARN trigger.

RED - Indicates ALARM trigger.

ORANGE - Indicates DOOR trigger from analog inputs.